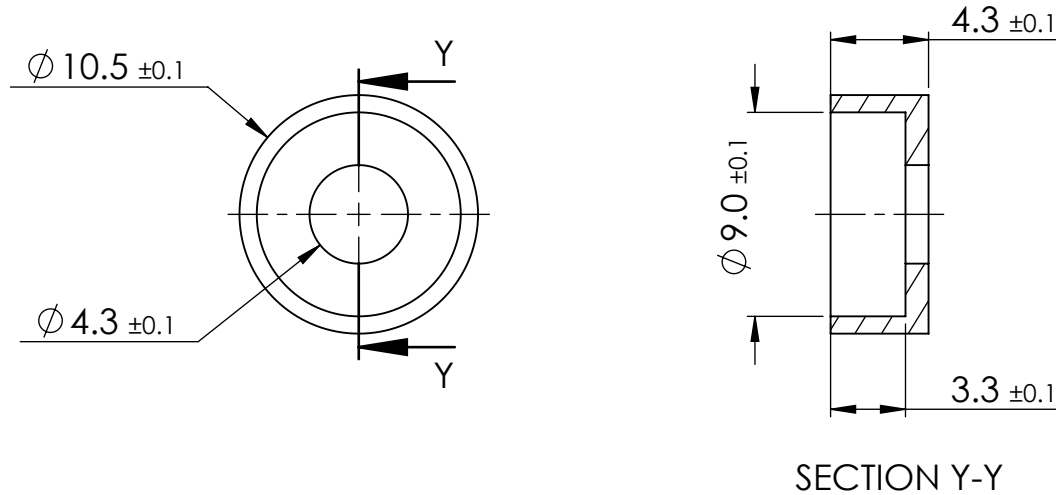


Essentra Components does not warrant that the files will be error free and may create new versions ("Upgrades") at any time, which may correct such errors. Essentra Components has no obligation to notify you of such upgrades. Any upgraded file will be published to the website, when it becomes available.

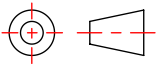
You are not permitted to load any of the files on to a network server for the purposes of distribution to one or more other computer(s) on that network or to effect such distribution. Essentra Components shall not be liable for any loss or damage whatsoever or however caused, arising directly or indirectly from the use of the files.

UNCONTROLLED COPY



STATUS **APPROVED DRAWING**

UNLESS OTHERWISE STATED

ALL DIMENSIONS IN mm				DO NOT SCALE	
LINEAR TOLERANCE				THIRD ANGLE PROJECTION	
SIZE	(0)	(0.0)	(0.00)	 ANGULAR TOLERANCE ± 0.5 DEGREES UNSPECIFIED RADII 0.25mm DRAFT ANGLE 0.5 DEGREES DIMENSIONS IN PARENTHESIS () ARE FOR REFERENCE ONLY	
0-10	± 0.5	± 0.15	± 0.10		
>10-30	± 0.5	± 0.20	± 0.15		
>30-50	± 0.5	± 0.30	± 0.20		
>50-100	± 0.8	± 0.50	± 0.25		
>100-200	± 1.5	± 0.80	± 0.40		
>200-300	± 2.0	± 1.20	± 0.80		
>300-500	± 3.0	± 2.00	± 1.00		
>500	± 5.0	± 3.00	± 1.50		

ITEM CODE	20466947	CREATE DATE	10.03.2025
LEGACY CODE	16CW008041B	MATERIAL	PA66
		COLOUR	BLACK
		FINISH	-

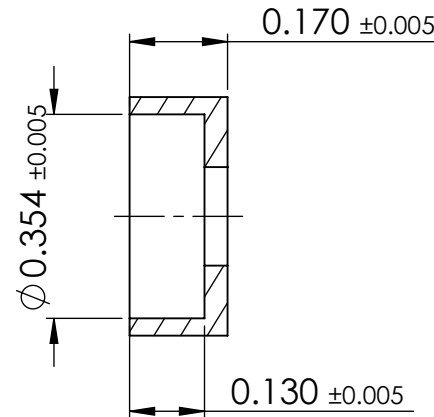
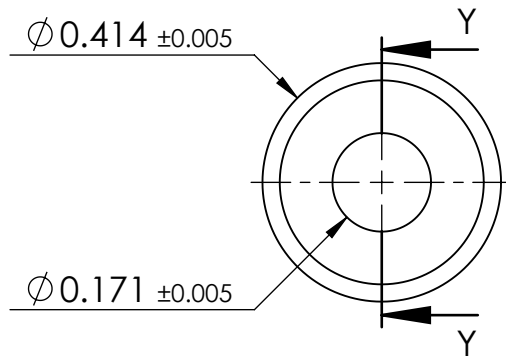
TITLE:
CUP WASHER

DWG. No.	20466947	SCALE	ISSUE
		3:1	1
		SHEET	1 of 2

Essentra Components does not warrant that the files will be error free and may create new versions ("Upgrades") at any time, which may correct such errors. Essentra Components has no obligation to notify you of such upgrades. Any upgraded file will be published to the website, when it becomes available.

You are not permitted to load any of the files on to a network server for the purposes of distribution to one or more other computer(s) on that network or to effect such distribution. Essentra Components shall not be liable for any loss or damage whatsoever or however caused, arising directly or indirectly from the use of the files.

UNCONTROLLED COPY

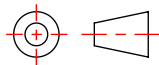


SECTION Y-Y



STATUS **APPROVED DRAWING**

UNLESS OTHERWISE STATED

ALL DIMENSIONS IN inches			DO NOT SCALE
LINEAR TOLERANCE			THIRD ANGLE PROJECTION
SIZE	(0.00)	(0.000)	(0.0000)
0 - 0.394	±0.020	±0.006	±0.004
>0.394 - 1.181	±0.020	±0.008	±0.006
>1.181 - 1.969	±0.020	±0.012	±0.008
>1.969 - 3.937	±0.031	±0.020	±0.010
>3.937 - 7.874	±0.059	±0.031	±0.016
>7.874 - 11.811	±0.079	±0.047	±0.031
>11.811 - 19.685	±0.118	±0.079	±0.039
>19.685	±0.197	±0.118	±0.059
			 ANGULAR TOLERANCE ±0.5 DEGREES UNSPECIFIED RADIUS 0.25mm DRAFT ANGLE 0.5 DEGREES DIMENSIONS IN PARENTHESIS () ARE FOR REFERENCE ONLY

ITEM CODE	20466947	10.03.2025	CREATE DATE
LEGACY CODE	16CW008041B	PA66	MATERIAL
		BLACK	COLOUR
		-	FINISH

TITLE:
CUP WASHER
 -

DWG. No.	20466947	SCALE	ISSUE
		3:1	1
		SHEET	2 of 2